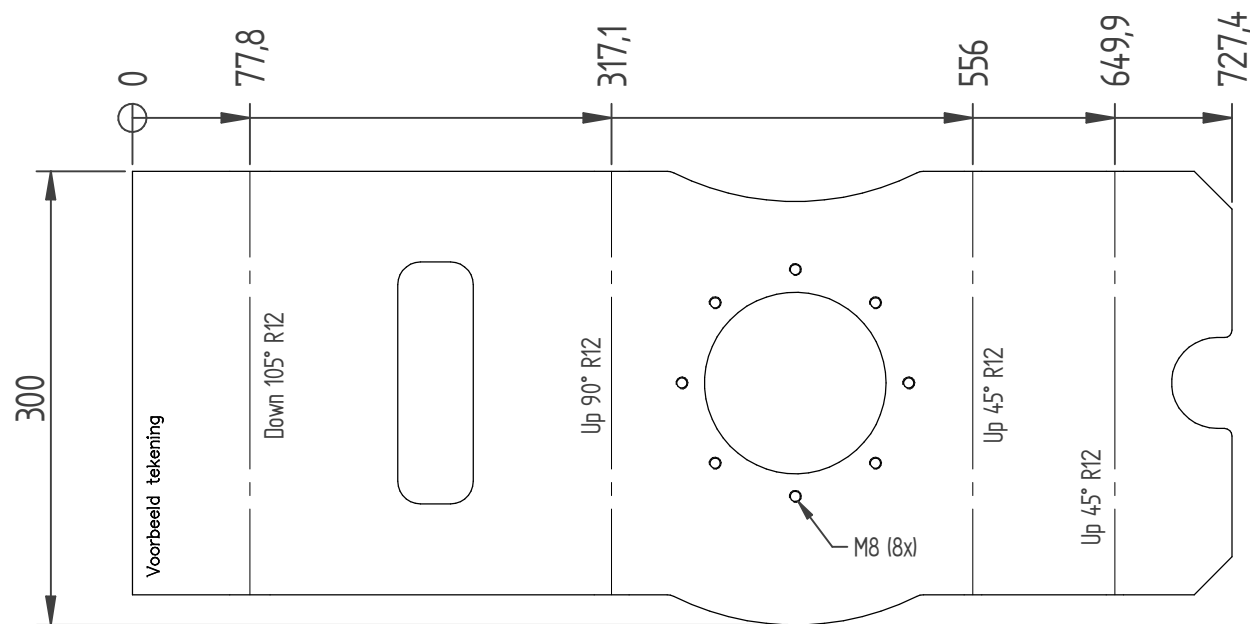


als inwendige hoek > 90°: maatvoering op snijpunten van buitencontour



Graveerlijnen: GEEL (kleurnummer 5)
 Markeerlijnen: BLAUW (kleurnummer 7)

Applicable Standards				Subject	
				Additional info	
				Material	Thickness
Steel - Structural:1.0037 , S235JR				8,00 mm	
The copying, distribution and utilization of this document as well as the communication of its contents to others without expressed authorization is prohibited. Offenders will be held liable for payment of damages. All rights reserved in the event of grant of a patent, utility model or ornamental design registration. Owned by DULASTA Metaalbewerking BV - The Netherlands.					
Author	Checked	Created	Modified	Document type	
NAME	NAME	18-7-2018	18-7-2018	voorbeeld tekening	
Third Angle Projection		Status	Issue	Sheet	
DIN-A3		DOCUMENT STATUS			1/1
Weight		UNLESS OTHERWISE SPECIFIED ALL DIMENSIONS ARE IN MILLIMETERS			
11,45 kg					